



THOMAS PUMP & MACHINERY, INC.

# PARTS LIST

WITH RECOMMENDED SPARE

## GP-12 SERIES PUMP



Thomas Pump & Machinery  
120 Industrial Drive  
Slidell, LA 70460  
PH: 985-649-3000  
Fax: 985-649-4300

# SECTION DRAWING

DRIVE END VIEW

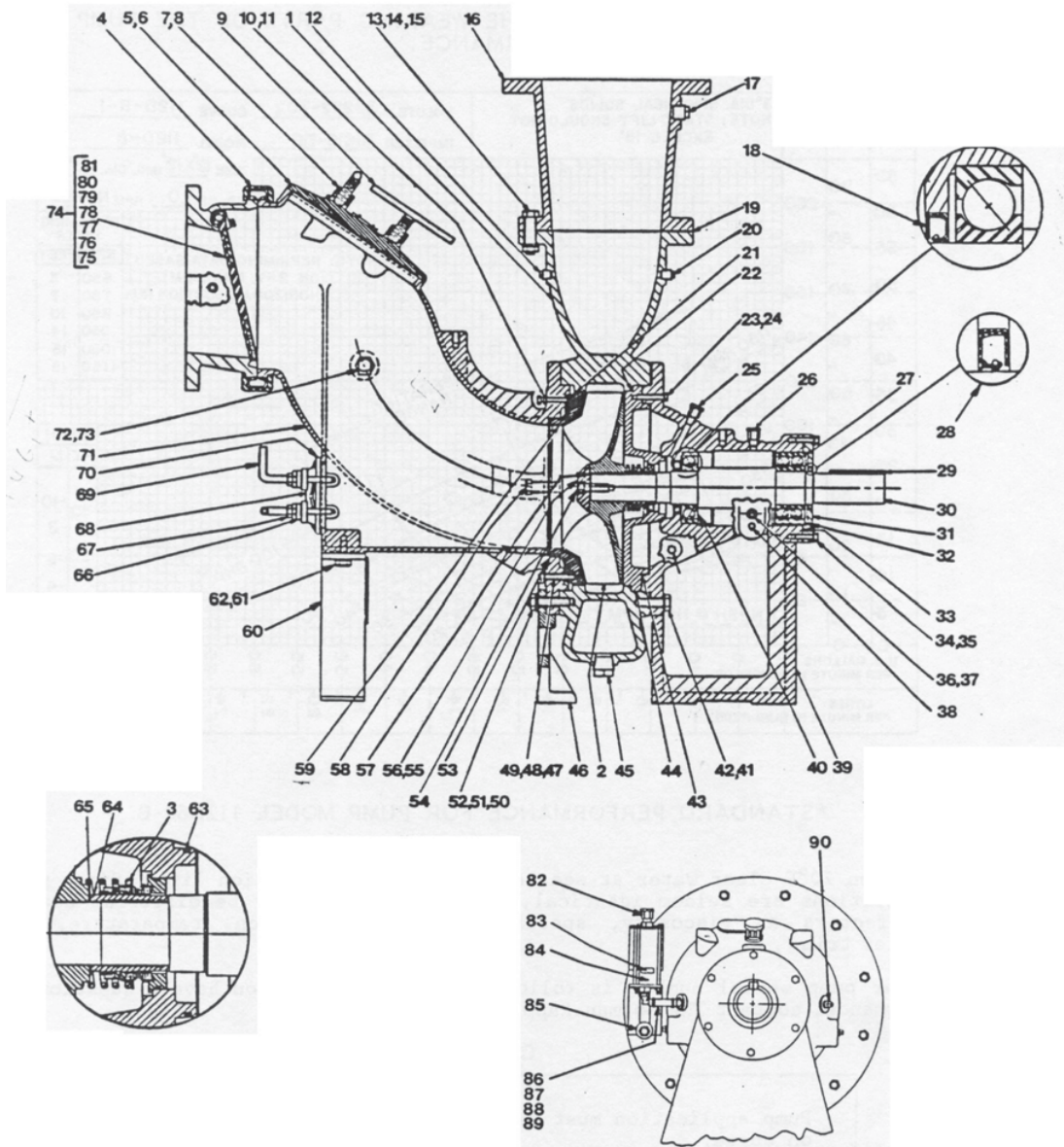


Figure 1. Pump Model and Rotating Assembly GP-12

# Thomas Pump & Machinery, Inc.



## GATOR PRIME PUMP

GP-12

PAGE 1 OF 2

<i>Pos.no.</i>	<i>Q'ty</i>	<i>Part Number</i>	<i>Description</i>
01	1	9600154000	PUMP CASING
02	1	9600497000	IMPELLER *
03	1	9800911000	SEAL ASSY *
04	1	9700777000	VICTAULIC COUPLING *
05	1	9700498000	ACCESS COVREY ASSY
06	1	9901378000	COVER GASKET *
07	2	9901379000	COVER CLAMP
08	4	2102565120	MACHINE BOLT
09	2	9901380000	CLAMP BAR SCREW
10	4	9901381000	WEAR PLATE ADJ SCREW *
11	4	2211270050	WEAR PLATE JAM NUT *
12	1	3310271020	PIPE PLUG
13	12	2101266480	HEX HD CAPSCREW
14	12	2321081540	LOCKWASHER
15	12	2211270090	HEX NUT
16	1	9700499000	DISCHARGE ADAPTER
17	1	3310271100	ACCESSORY PLUG
18	1	3680080350	OIL SEAL *
19	1	9901382000	DISCHARGE FLANGE GASKET *
20	1	3310271060	PIPE PLUG
21	1	3606630050	WEAR PLATE O-RING *
22	1	3606222840	CASING O-RING *
23	2	2101262630	HEX HD CAPSCREW
24	2	2321080800	LOCKWASHER
25	1	3310990060	SEAL CAVITY VENT *
26	1	3310990060	PEDESTAL VENT *
27	2	9901384000	WAVE WASHER *
28	1	3680080340	OIL SEAL *
29	1	9901383000	SHAFT KEY *
30	1	9800914000	IMPELLER SHAFT *
31	1	9901385000	BEARING CAP
32	1	3180590085	BALL BEARING DRIVE END *
33	1	3606127530	BEARING CAP O-RING *
34	6	2101263910	HEX HD CAPSCREW
35	6	2321080840	LOCKWASHER
36	1	3480500200	OIL SIGHT GAUGE
37	1	3310271040	PIPE PLUG
38	1	3310271040	PEDESTAL DRAIN PLUG
39	1	9700501000	BEARING HOUSING
40	1	3180071870	BALL BEARING INBOARD *
41	20	2101132290	HEX HD CAPSCREW
42	20	2321080920	LOCKWASHER
43	1	3606222840	CASING O-RING
44	1	9700502000	SEAL PLATE
45	1	3310271140	CASING DRAIN PLUG
46	1	9800415000	PEDESTAL FOOT
47	4	2101263940	STUD

# Thomas Pump & Machinery, Inc.



## GATOR PRIME PUMP

**GP-12**

PAGE 2 OF 2

<i>Pos.no.</i>	<i>Q'ty</i>	<i>Part Number</i>	<i>Description</i>
48	4	2320080840	LOCKWASHER
49	4	2211270050	HEX NUT
50	4	9901386000	STUD
51	4	2321080920	LOCKWASHER
52	4	2211270080	HEX NUT
53	1	3606131360	WEAR PLATE O-RING *
54	1	2102185810	SOCKET HEAD CAPSCREW *
55	1	9901387000	IMPELLER WASHER *
56	1	2431101410	IMPELLER ROLL PIN *
57	1	9901389000	IMPELLER KEY *
58	2	2101265850	HEX HD CAPSCREW
59	1	9700503000	WEAR PLATE *
60	1	9901817000	SUCTION ELBOW SUPPORT
61	2	2101255810	HEX HD CAPSCREW
62	2	2321080920	LOCKWASHER
63	1	3606125570	SEAL PLATE O-RING *
64	1	9902130000	SHAFT SLEEVE *
65	1	2322150010	IMPELLER SCREW SET *
66	2	9901388000	COVER PLATE CLAMP
67	4	2102565120	MACHINE BOLT
68	1	9800916000	CLEANOUT COVER ASSY
69	2	9901311000	CLAMP BAR SCREW
70	1	9901390000	COVER GASKET *
71	1	9600155000	SUCTION ELBOW SUPPORT
72	1	3768500300	PRESSURE RELIEF VALVE *
73	1	3310271060	PIPE PLUG
74	1	-	CHECK VALVE ASSY
75	2	2101302590	HEX HD CAPSCREW
76	2	3310271060	PIPE PLUG
77	4	2320290800	FLAT WASHER
78	2	9901356000	PIVOT CAP
79	1	9700504000	CHECK VALVE BODY
80	2	2321110800	LOCKWASHER
81	1	9700461000	CHECK VALVE *
82	1	2890090960	AIR VENT
83	1	9901842000	OIL LEVEL DECAL
84	1	9801497000	SIGHT GAUGE ASSY
85	2	2321013800	FLAT WASHER
86	1	3319321040	BARBED ELBOW
87	1	2890090940	BARBED ADAPTER
88	1	2890090950	PLASTIC TUBING
89	2	2890090930	TUBING CLAMP
90	3	2210241040	SEAL DRAIN PLUG