



THOMAS PUMP & MACHINERY, INC.

PARTS LIST

WITH RECOMMENDED SPARE

GP-10 SERIES PUMP



Thomas Pump & Machinery
120 Industrial Drive
Slidell, LA 70460
PH: 985-649-3000
Fax: 985-649-4300

SECTION DRAWING

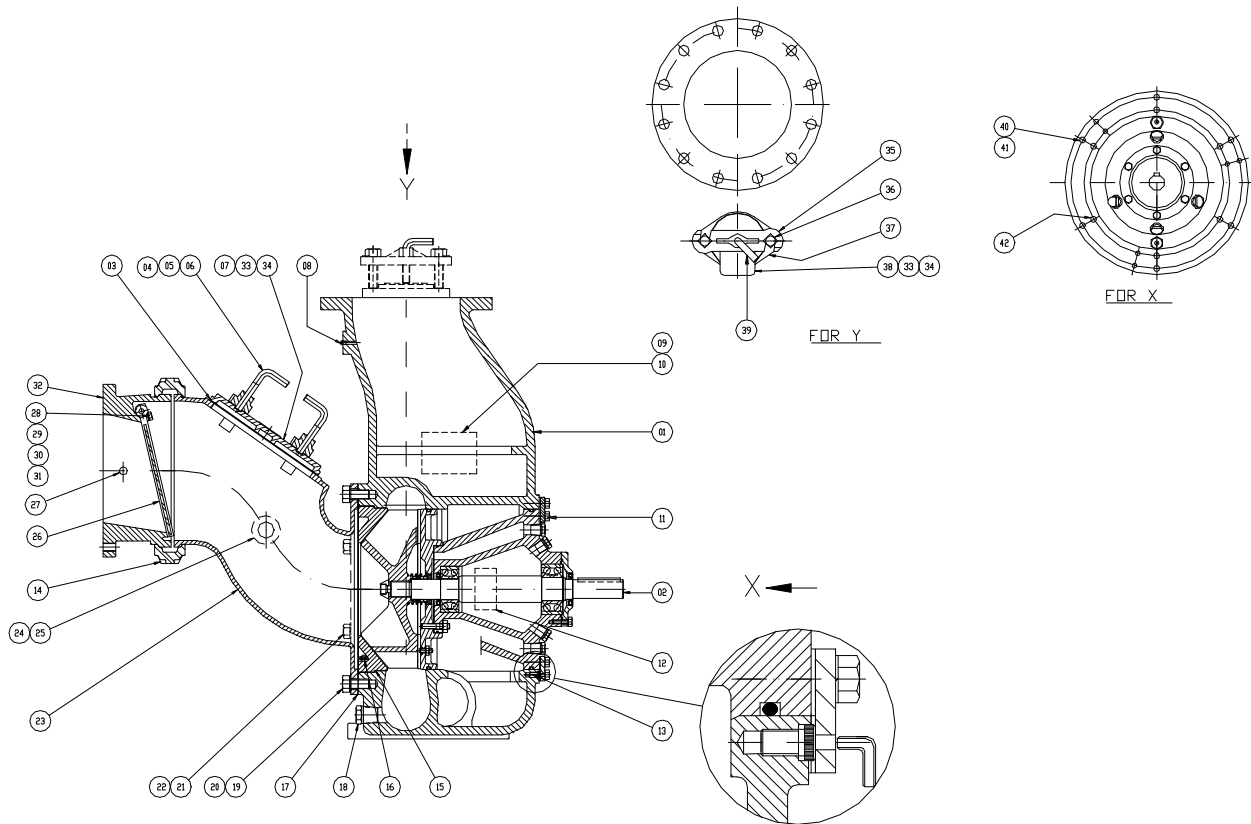


Figure 1. Pump Model GP-10

Thomas Pump & Machinery, Inc.



GATOR PRIME PUMP

GP-10

Pos.no.	Q'ty	Part Number	Description	
01	1	9600126000	PUMP CASING	
02	1	9600149000	REPAIR ROTATING ASSEMBLY	*
03	1	9901353000	COVER GASKET	*
04	1	9901311000	CLAMP BAR SCREW	
05	4	2102565150	HEX HD CAPSCREW	
06	1	9800868000	CLAMP BAR	
07	1	9800895000	BACK COVER PLATE ASSY	
08	1	3310271020	PIPE PLUG	
09	1	9901325000	NAME PLATE	
10	4	2750201200	DRIVE SCREW	
11	1	9901354000	CASING RING	
12	1	9901327000	ROTATION DECAL	
13	6	2102133870	ROT ASSY SCREW SET	
14	1	9700477000	COUPLING	
15	1	9800896000	WEAR PLATE ASSY	*
16	1	3310271060	PIPE PLUG	
17	1	1521050400	BACK COVER O-RING	*
18	1	3310271140	PIPE PLUG	
19	2	2101266420	HEX HD CAPSCREW	
20	2	2321081540	LOCKWASHER	
21	2	2101265820	HEX HD CAPSCREW	
22	2	2321280920	LOCKWASHER	
23	1	9700478000	SUCTION HEADSTOCK	
24	1	3310271120	PIPE PLUG	
25	1	3768500300	PRESS RELIEF VALVE	*
26	1	9700462000	VALVE ASSEMBLY	*
27	1	3310271060	PIPE PLUG	
28	2	2101302590	CHECK VALVE PIN	
29	2	2321110800	LOCKWASHER	
30	4	2320290800	LOCKWASHER	
31	2	9901399000	VALVE ASSEMBLY STAND	
32	1	9800884000	SUCTION FLANGE	
33	1	9901331000	WARNING PLATE	
34	2	2750201200	DRIVE SCREW	
35	1	9800868000	CLAMP BAR	
36	2	2102565150	MACHINE BOLT	
37	1	9901330000	FILL COVER GASKET	*
38	1	9901299000	FILL COVER ASSEMBLY	
39	1	9901311000	CLAMP BAR SCREW	
40	6	2101263890	HEX HD CAPSCREW	
41	6	2321080840	LOCKWASHER	
42	6	2101263890	HEX HD CAPSCREW	

* INDICATES RECOMMENDED SPARE PARTS

SECTION DRAWING

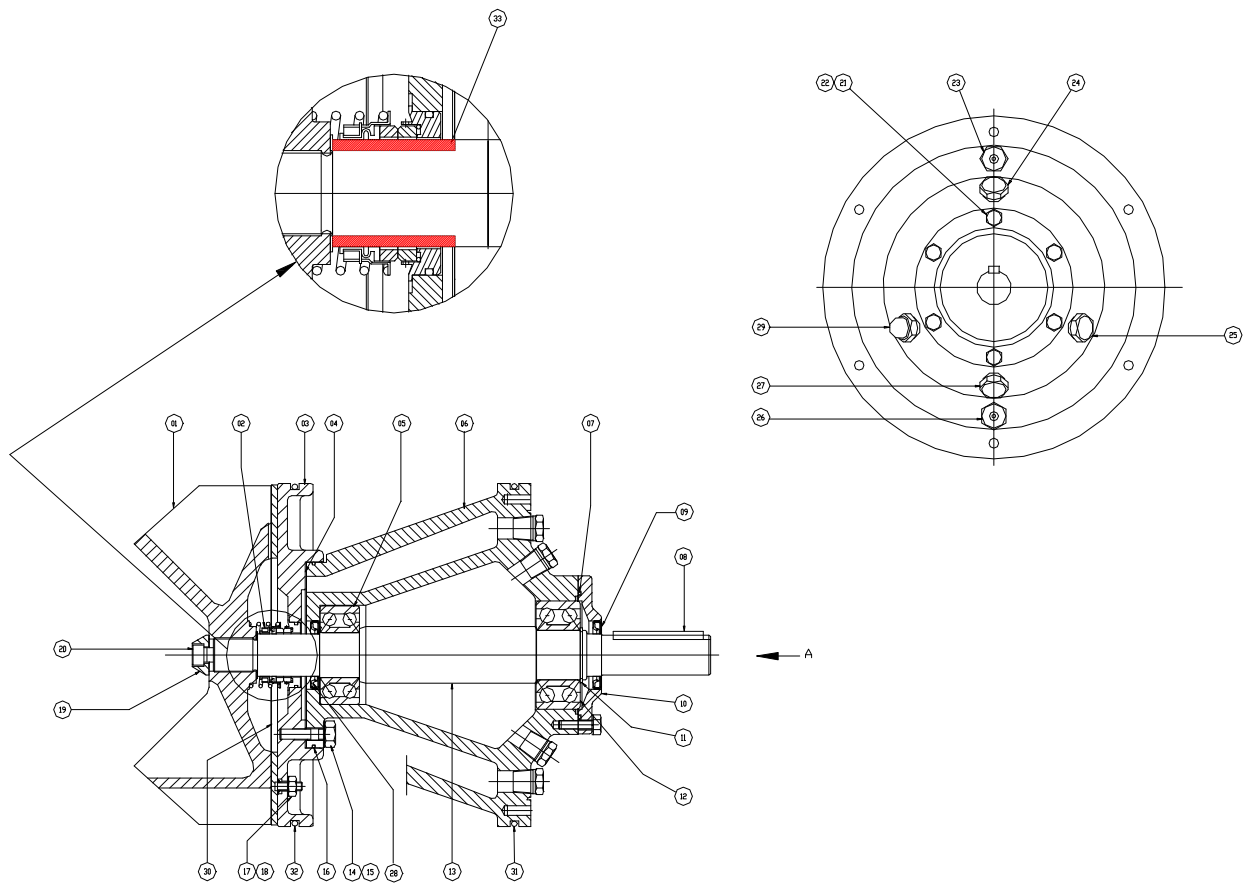


Figure 2. Repair Rotating Assembly GP-10

Thomas Pump & Machinery, Inc.



GATOR PRIME ROTATING ASSEMBLY

GP-10

Pos.no.	Q'ty	Part Number	Description	
01	1	9700479000	IMPELLER	*
02	1	9800907000	SEAL ASSEMBLY	*
03	1	9700471000	SEAL PLATE	
04	1	9901356000	SEAL PLATE GASKET	*
05	1	3180074480	INBOARD BALL EARING	*
06	1	9600127000	BEARING HOUSE	
07	1	3606124980	BEARING CAP O-RING	*
08	1	9901357000	SHAFT KEY	*
09	1	3680049460	BEARING CAP OIL SEAL	*
10	1	9901358000	BEARING CAP	
11	1	2322600380	BEARING RETAINING RING	*
12	1	3180074570	OUTBOARD BALL BEARING	*
13	1	9800897000	IMPELLER SHAFT	*
14	4	2101191380	HEX HD CAPSCREW	
15	4	2321080840	LOCKWASHER	
16	1	3606127530	SEAL PLATE O-RING	*
17	4	2211270030	HEX NUT	
18	4	2321080800	LOCKWASHER	
19	1	9901313000	IMPELLER SWASHER	*
20	1	2102141950	IMPELLER CAPSCREW	*
21	6	2101262590	HEX HD CAPSCREW	
22	6	2321080800	LOCKWASHER	
23	1	9901360000	VENTED PLUG	
24	1	9901360000	VENTED PLUG	
25	1	3310271080	PIPE PLUG	
26	1	3310271080	PIPE PLUG	
27	1	3310271080	PIPE PLUG	
28	1	3680049460	BEARING CAP OIL SEAL	*
29	1	3480500200	SIGHT GAUGE	
30	1	9800883000	BACK WEAR PLATE ASSY	*
31	1	3606224580	ROTATING ASSY O-RING	*
32	1	3606224580	SEAL PLATE O-RING	*
33	1	123591600	SHAFT SLEEVE	

* INDICATED RECOMMENDED SPARE PARTS