



THOMAS PUMP & MACHINERY, INC.

PARTS LIST

WITH RECOMMENDED SPARE

GH-6 SERIES PUMP



Thomas Pump & Machinery
120 Industrial Drive
Slidell, LA 70460
PH: 985-649-3000
Fax: 985-649-4300

SECTION DRAWING

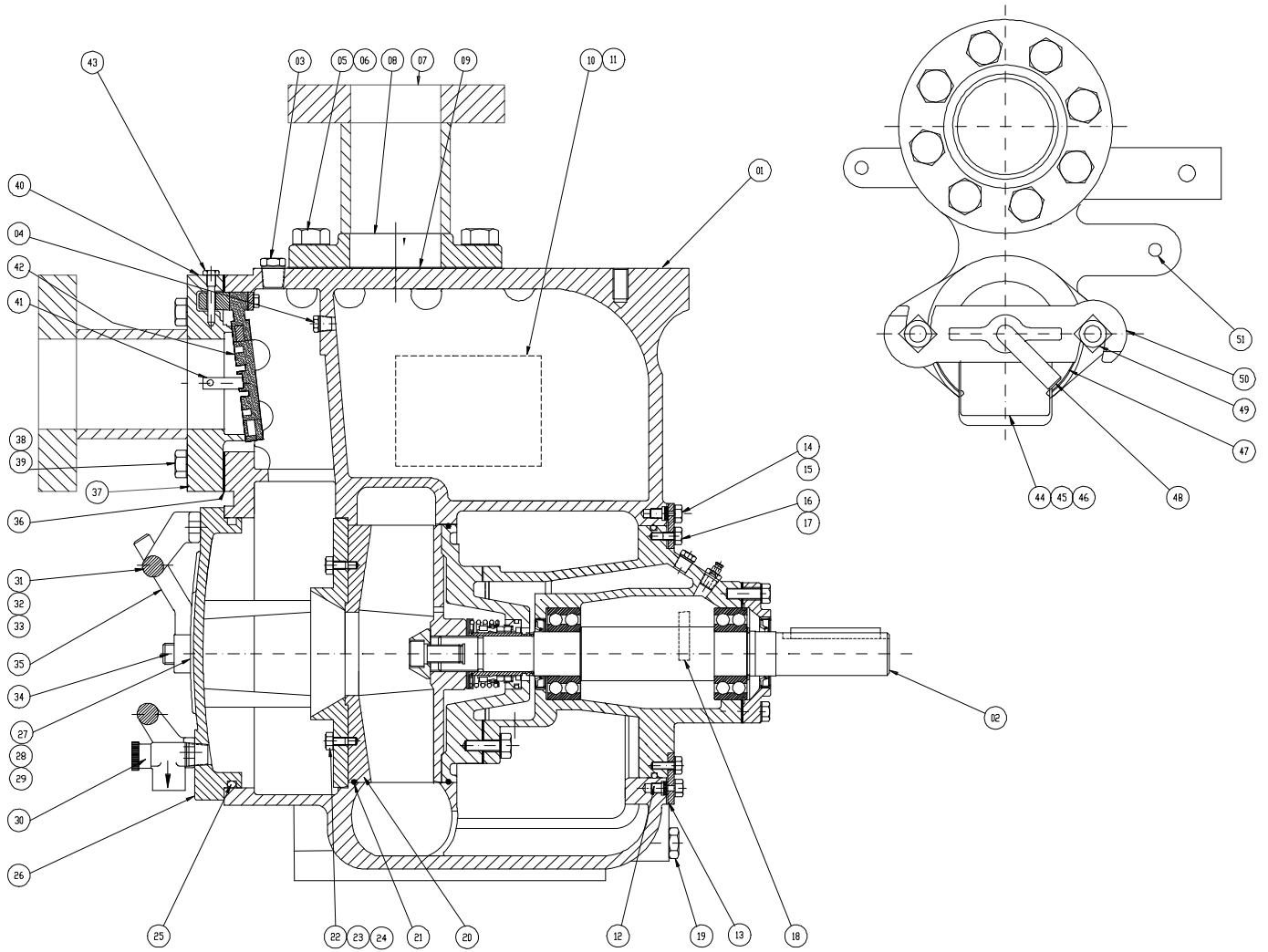


Figure 1. Pump Model GH-6

Thomas Pump & Machinery, Inc.



GATOR PRIME PUMP

GH-6

Pos.no.	Q'ty	Part Number	Description	
01	1	9600132000	PUMP CASING	
02	1	9600152000	ROTATING ASSEMBLY	*
03	1	3310271020	PIPE PLUG	
04	1	3310271020	PIPE PLUG	
05	8	2101265840	HEX HD CAPSCREW	
06	8	2321080920	LOCKWASHER	
07	1	9901341000	DISCHARGE STICKER	
08	1	9802717000	DISCHARGE FLANGE SPOOL	
09	1	9901324000	DISCHARGE FLANGE GASKET	*
10	1	9901326000	NAME PLATE	
11	4	2750201200	DRIVE SCREW	
12	6	2102133870	ROT ASSY SCREW SET	
13	1	9901362000	CASING RING	
14	6	2101263890	HEX HD CAPSCREW	
15	6	2321080840	LOCKWASHER	
16	6	2101263890	HEX HD CAPSCREW	
17	6	2321080840	LOCKWASHER	
18	1	9901433000	ROTATION DECAL	
19	1	3310271100	PIPE PLUG	
20	1	9800880000	WEAR PLATE ASSY	*
21	1	3606131060	WEAR PLATE O-RING	*
22	4	9901425000	STUD	
23	4	2211270030	HEX NUT	
24	4	2321080800	LOCKWASHER	
25	1	3606224540	BACK COVER O-RING	*
26	1	9700470000	BACK COVER PLATE ASSY	
27	1	9901328000	WARNING PLATE	
28	4	2750201200	DRIVE SCREW	
29	1	9901329000	CAUTION DECAL	
30	1	3768500301	PRESSURE RELIEF VALVE	
31	2	9800887000	BACK COVER PLATE HANDLE	
32	4	2101262570	HEX HD CAPSCREW	
33	4	2321080800	LOCKWASHER	
34	2	9901332000	STUD	
35	2	9901309000	HAND NUT	
36	1	9901523000	SUCTION FLANGE GASKET	*
37	1	9802713000	SUCTION FLANGE SPOOL	
38	8	2101265840	HEX HD CAPSCREW	
39	8	2321080920	LOCKWASHER	
40	1	9901340000	SUCTION DECAL	
41	1	3310271020	PIPE PLUG	
42	1	9700460000	VALVE ASSEMBLY	*
43	1	9901308000	CHECK VALVE PIN	
44	1	9901299000	FILL COVERY ASSY	
45	1	9901331000	WARNING PLATE	
46	2	2750201200	DRIVE SCREW	
47	1	9901330000	FILL COVER GASKET	*
48	1	9901311000	CLAMP BAR SCREW	
49	2	2102565150	MACHINE BOLT	
50	1	9800868000	CLAMP BAR	
51	1	3310271020	PIPE PLUG	

* INDICATED RECOMMENDED SPARE PARTS

SECTION DRAWING

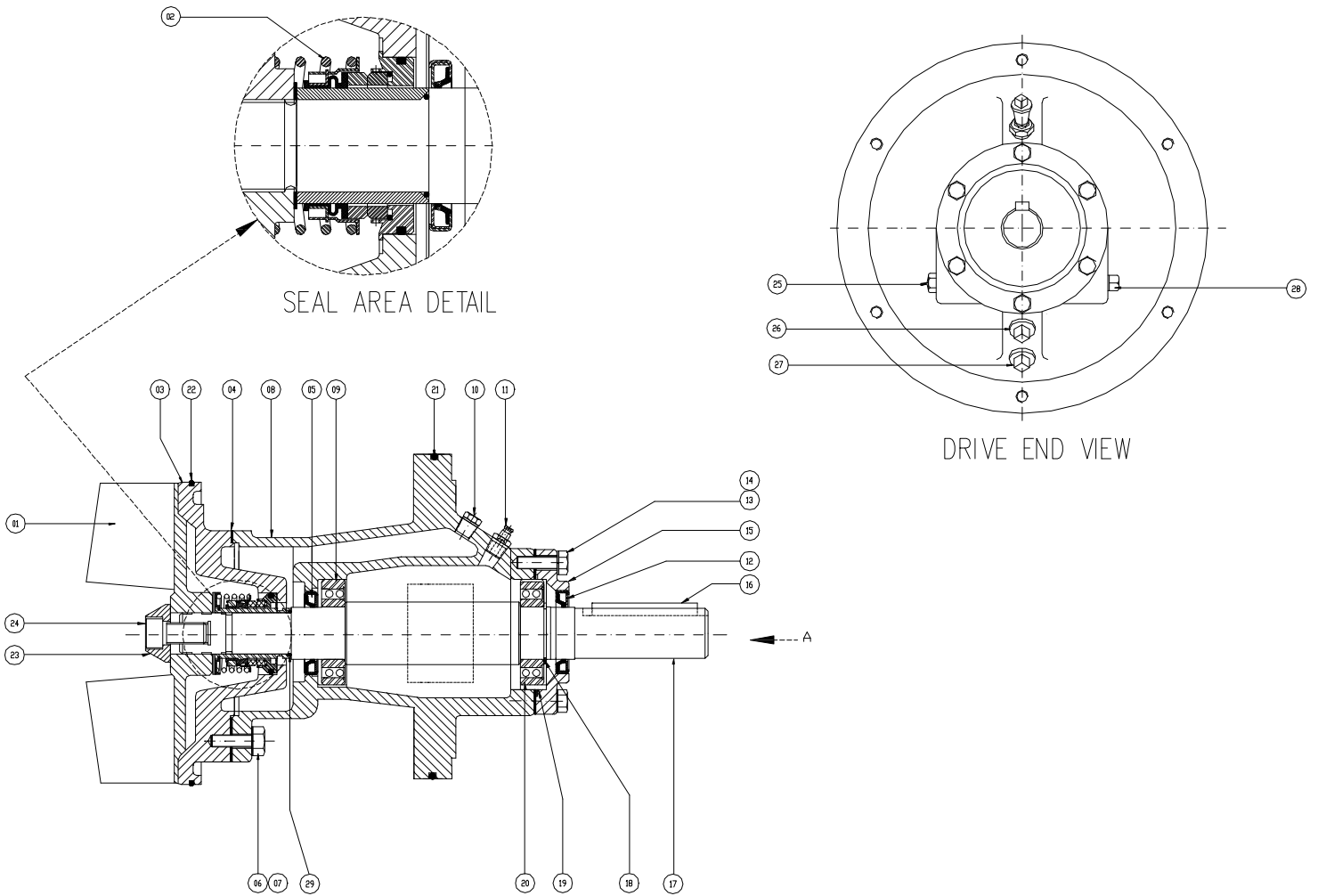


Figure 2. Rotating Assembly GH-6

Thomas Pump & Machinery, Inc.



GATOR PRIME ROTATING ASSEMBLY

GH-6

<i>Pos.no.</i>	<i>Q'ty</i>	<i>Part Number</i>	<i>Description</i>	
01	1	9700468000	IMPELLER	*
02	1	9700907000	SEAL ASSEMBLY	*
03	1	9700469000	SEAL PLATE	
04	1	9901364000	SEAL PLATE GASKET	*
05	1	3680049460	INBOARD OIL SEAL	*
06	4	2101265070	HEX HD CAPSCREW	
07	4	2321080880	LOCKWASHER	
08	1	9700480000	BEARING HOUSING	
09	1	3180074480	INBOARD BALL BEARING	*
10	1	9901335000	VENTED SEAL CAVITY PLUG	
11	1	3310990600	VENTED SEAL CAVITY PLUG	
12	1	3680049460	OUTBOARD OIL SEAL	*
13	6	2101262590	HEX HD CAPSCREW	
14	6	2321080800	LOCKWASHER	
15	1	9901358000	BEARING CAP	
16	1	9901336000	SHAFT KEY	*
17	1	9800899000	IMPELLER SHAFT	
18	1	2322600360	BEARING RETAINING RING	
19	1	3606124980	BEARING CAP O-RING	*
20	1	3180074570	OUTBOARD BALL BEARING	*
21	1	3606131040	ROTATING ASSEMBLY O-RING	*
22	1	3606131060	SEAL PLATE O-RING	*
23	1	9901313000	IMPELLER WASHER	
24	1	2102141950	IMPELLER CAPSCREW	
25	1	3480500200	OIL LEVEL SIGHT GAUGE	
26	1	3310271060	PIPE PLUG	
27	1	3310271060	PIPE PLUG	
28	1	3310271080	PIPE PLUG	
29	1	3606220260	SEAL PLATE O-RING	

* INDICATED RECOMMENDED SPARE PARTS