



THOMAS PUMP & MACHINERY, INC.

PARTS LIST

WITH RECOMMENDED SPARE

GH-4 SERIES PUMP



Thomas Pump & Machinery
120 Industrial Drive
Slidell, LA 70460
PH: 985-649-3000
Fax: 985-649-4300

SECTION DRAWING

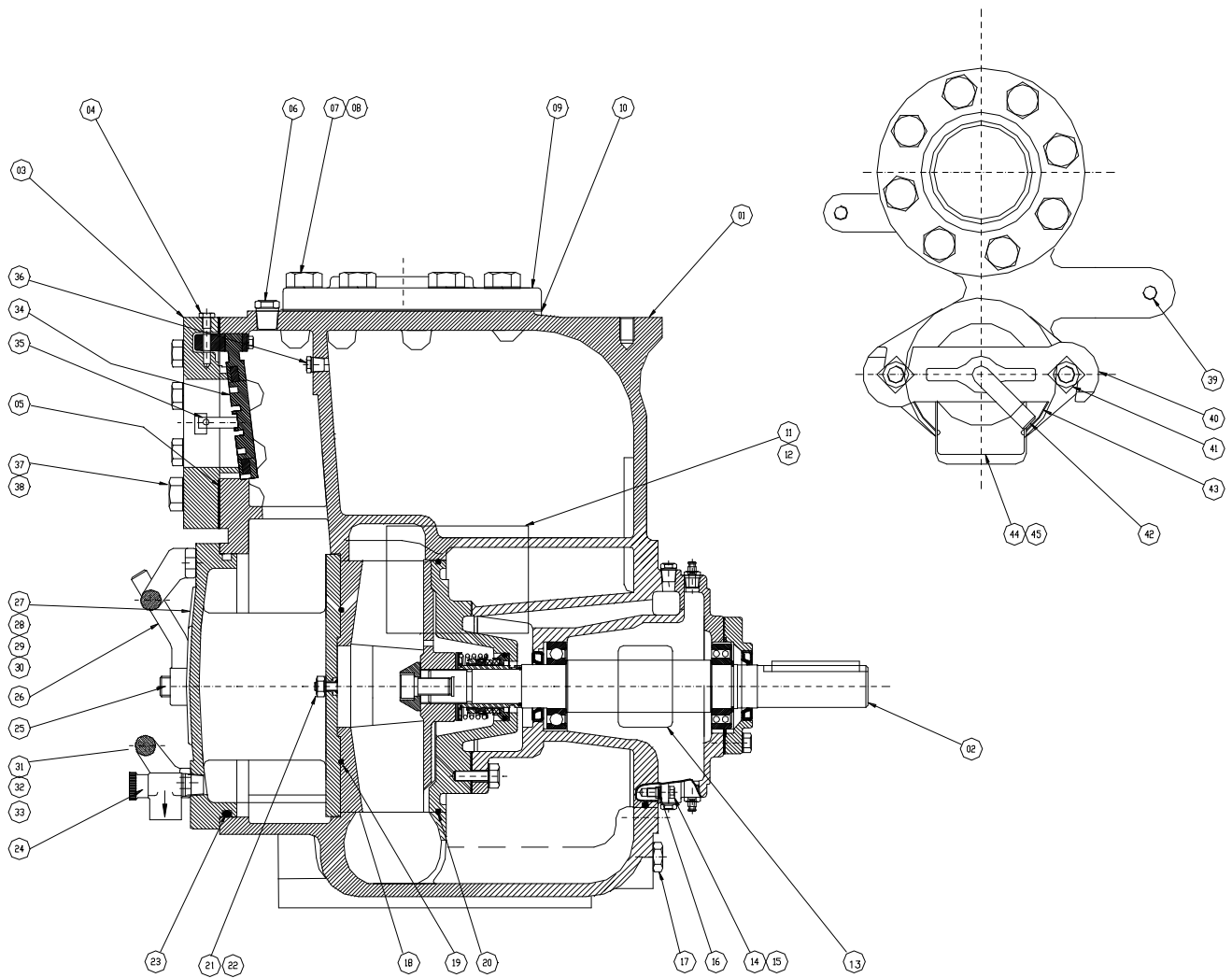


Figure 1. Pump Model GH-4

Thomas Pump & Machinery, Inc.



GATOR PRIME PUMP

GH-4

Pos.no.	Q'ty	Part Number	Description	
01	1	9600133000	PUMP CASING	
02	1	9600151000	ROTATING ASSEMBLY	*
03	1	9802712000	SUCTION SPOOL FLANGE	
04	1	9901365000	CHECK VALVE PIN	
05	1	9901366000	SUCTION FLANGE GASKET	*
06	1	3310271020	PIPE PLUG	
07	8	210126580	HEX HD CAPSCREW	
08	8	2321080880	LOCKWASHER	
09	1	9902528000	DISCHARGE SPOOL FLANGE	
10	1	9901367000	DISCHARGE FLANGE GASKET	*
11	1	9901326000	NAME PLATE	
12	4	2750201200	DRIVE SCREW	
13	1	9901433000	ROTATION DECAL	
14	4	2101263890	HEX HD CAPSCREW	
15	4	2321080840	LOCKWASHER	
16	4	210213387	HEX HD CAPSCREW	
17	2	3310271100	PIPE PLUG	
18	1	9800903000	WEAR PLATE ASSY	*
19	1	3606222580	WEAR PLATE O-RING	*
20	1	3606222760	COVER O-RING	*
21	2	2211270030	HEX NUT	
22	2	2321080800	LOCKWASHER	
23	1	3606130690	BACK COVER O-RING	*
24	1	3768500300	PRESSURE RELIEF VALVE	
25	2	9901347000	STUD	
26	2	9901345000	HAND NUT	
27	1	9700481000	BACK COVER PLATE ASSY	
28	1	9901328000	WARNING PLATE	
29	4	2750201200	DRIVE SCREW	
30	1	9901329000	CAUTION DECAL	
31	2	9800887000	BACK COVER PLATE	
32	4	2101262570	HEX HD CAPSCREW	
33	4	2321080800	LOCKWASHER	
34	1	9700463000	CHECK VALVE ASSY	*
35	1	3310271120	PIPE PLUG	
36	1	3310271020	PIPE PLUG	
37	8	2101265090	HEX HD CAPSCREW	
38	8	2321080880	LOCKWASHER	
39	1	3310271020	PIPE PLUG	
40	1	9800868000	CLAMP BAR	
41	2	2102565150	MACHINE BOLT	
42	1	9901311000	CLAMP BAR SCREW	
43	1	9901330000	FILL COVER GASKET	*
44	1	9901299000	FILL COVERY ASSY	
45	1	9901331000	WARNING PLATE	

* INDICATED RECOMMENDED SPARE PARTS

SECTION DRAWING

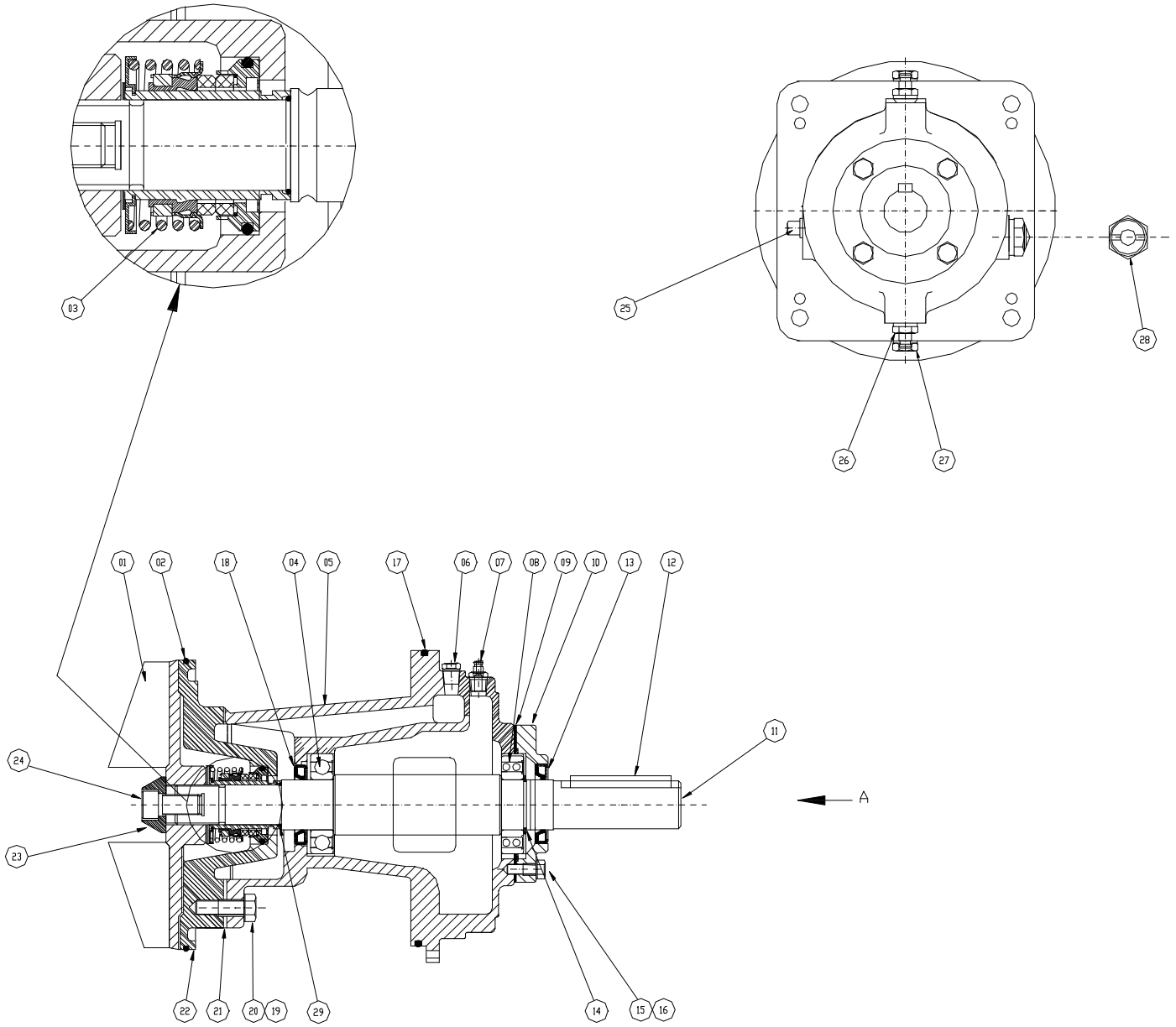


Figure 2. Repair Rotating Assembly GH-4

