



THOMAS PUMP & MACHINERY, INC.

PARTS LIST

WITH RECOMMENDED SPARE

GH-3 SERIES PUMP



Thomas Pump & Machinery
120 Industrial Drive
Slidell, LA 70460
PH: 985-649-3000
Fax: 985-649-4300

SECTION DRAWING

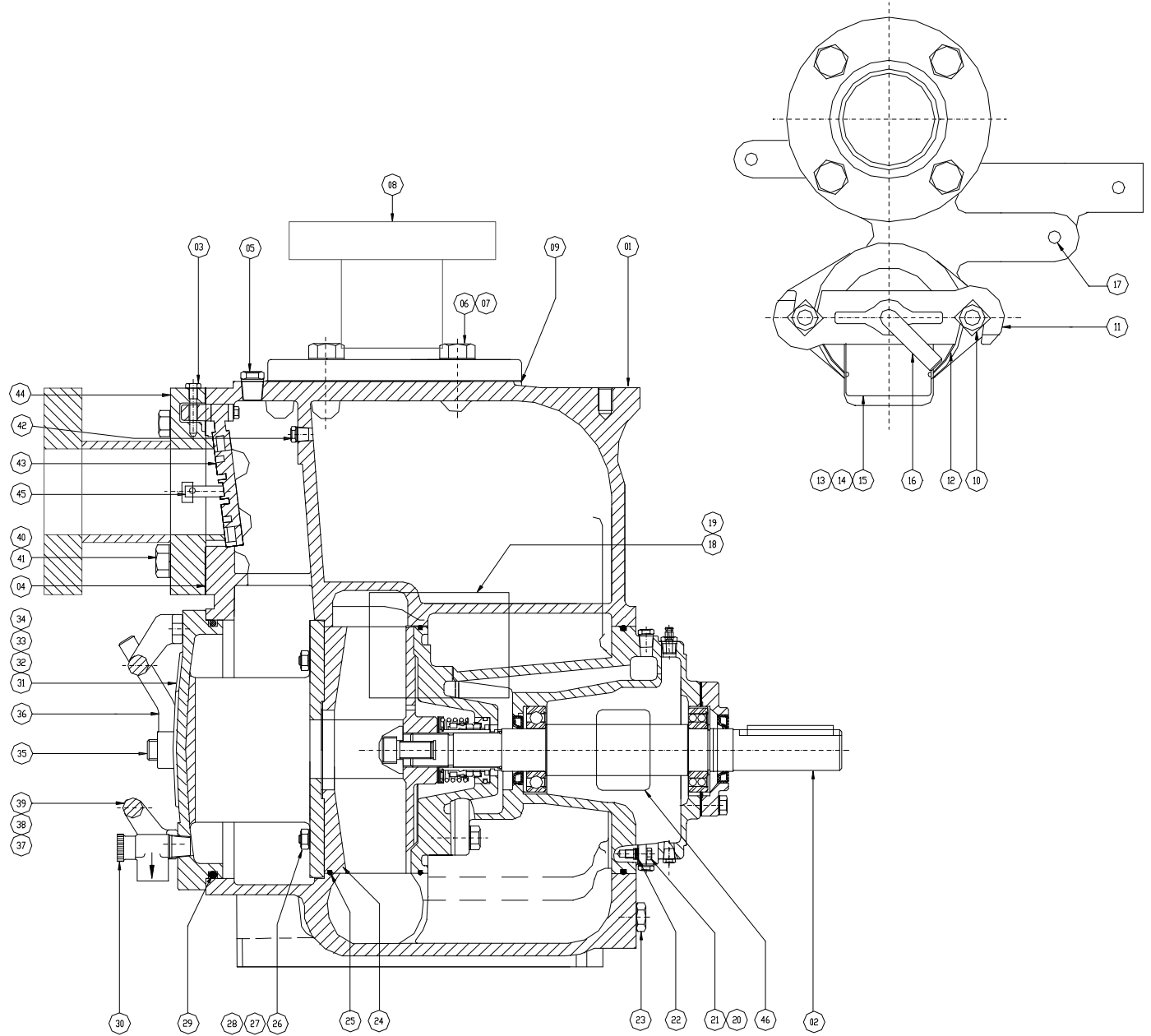


Figure 1. Pump Model GH-3

Thomas Pump & Machinery, Inc.



GATOR PRIME PUMP

GH-3

Pos.no.	Q'ty	Part Number	Description	
01	1	9600134000	PUMP CASING	
02	1	960015000	ROTATING ASSEMBLY	*
03	1	9901349000	CHECK VALVE PIN	
04	1	9901348000	SUCTION FLANGE GASKET	*
05	1	3310271020	PIPE PLUG	
06	4	2101265080	HEX HD CAPSCREW	
07	4	2321080880	LOCKWASHER	
08	1	9802715000	DISCHARGE FLANGE SPOOL	
09	1	9901344000	DISCHARGE FLANGE GASKET	*
10	2	2102565150	MACHINE BOLT	
11	1	9800868000	CLAMP BAR	
12	1	9901330000	FILL COVER GASKET	*
13	1	9901299000	FILL COVER ASSY	
14	1	9901331000	WARNING PLATE	
15	2	2750201200	DRIVE SCREW	
16	1	9901311000	CLAMP BAR SCREW	
17	1	3310271020	PIPE PLUG	
18	1	9901326000	NAME PLATE	
19	4	2750201200	DRIVE SCREW	
20	4	2101263890	HEX HD CAPSCREW	
21	4	2321080840	LOCKWASHER	
22	4	2102133870	ROT ASSY SCREW SET	
23	1	9901372000	VENTED PLUG	
24	1	9700505000	WEAR PLATE ASSY	
25	1	3606222760	WEAR PLATE O-RING	*
26	4	9901426000	STUD	
27	4	2211270020	HEX NUT	
28	2	2321081360	LOCKWAHSER	
29	1	3606222760	BACK COVER O-RING	*
30	1	6768500300	PRESSURE RELIEF VALVE	
31	1	9700486000	BACK COVER PLATE ASSY	
32	1	9901328000	WARNING PLATE	
33	4	2750201200	DRIVE SCREW	
34	1	9901329000	CAUTION DECAL	
35	1	9901347000	STUD	
36	1	9901345000	HAND NUT	
37	1	9800887000	BACK COVER HANDLE	
38	4	2101262570	HEX HD CAPSCREW	
39	4	2321090800	LOCKWASHER	
40	4	2321080880	LOCKWASHER	
41	4	2101265100	HEX HD CAPSCREW	
42	1	3310271020	PIPE PLUG	
43	1	9700465000	VALVE ASSEMBLY	*
44	1	9802711000	SUCTION FLANGE SPOOL	
45	1	3310271020	PIPE PLUG	
46	1	9901433000	WARNING DECAL	

* INDICATED RECOMMENDED SPARE PARTS

SECTION DRAWING

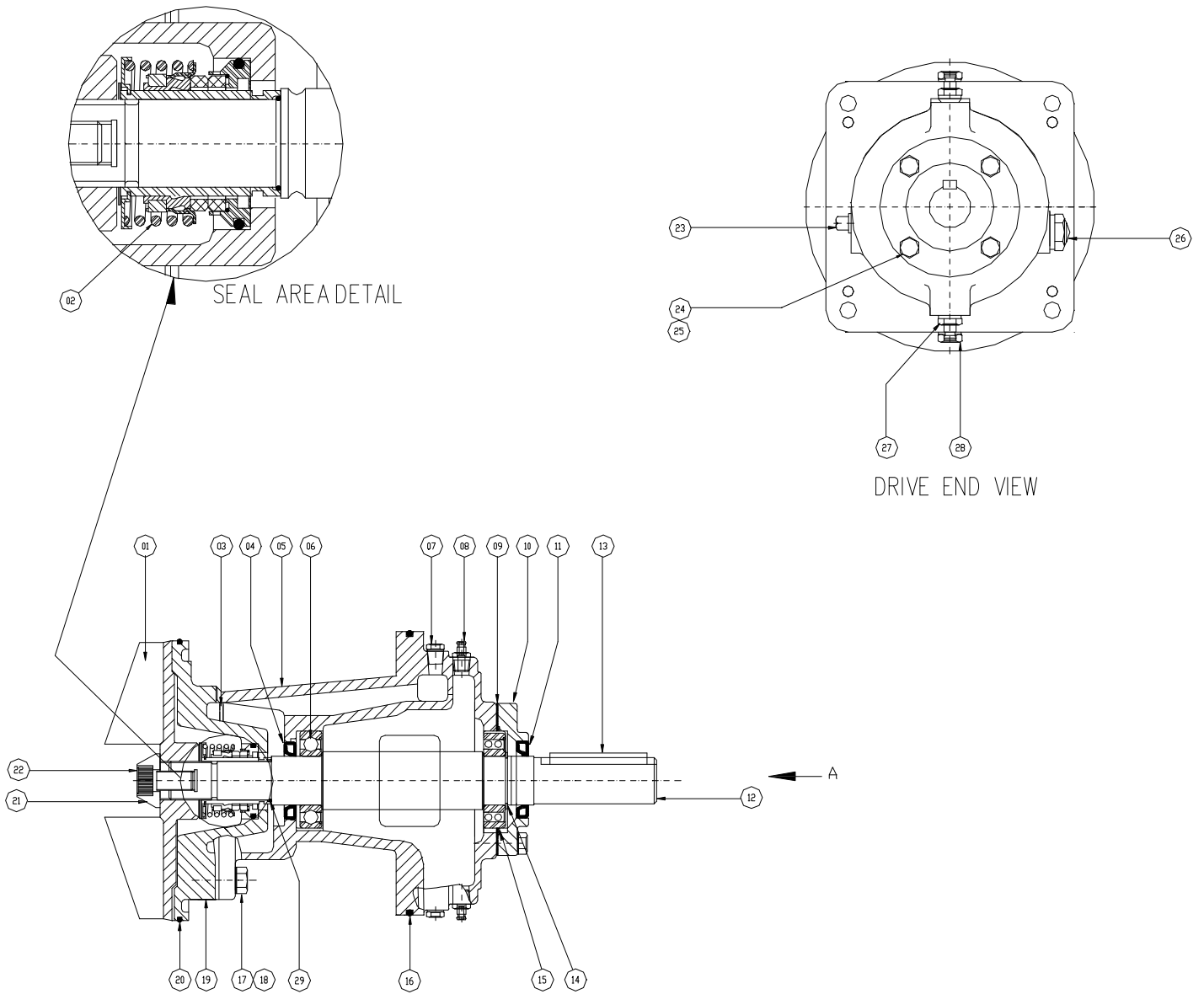


Figure 2. Rotating Assembly GH-3

Thomas Pump & Machinery, Inc.



GATOR PRIME ROTATING ASSEMBLY

GH-3

Pos.no.	Q'ty	Part Number	Description	
01	1	9700487000	IMPELLER	*
02	1	3800906000	SEAL ASSEMBLY	*
03	1	9901333000	SEAL PLATE GASKET	*
04	1	3680047800	INBOARD OIL SEAL	*
05	1	9700485000	BEARING HOUSING	
06	1	3180012060	INBOARD BALL BEARING	
07	1	9901335000	VENTED PLUG	
08	1	3310990600	AIR VENT	
09	1	9901337000	BEARING CAP GASKET	*
10	1	980087000	BEARING CAP GASKET	
11	1	3680047800	BEARING CAP OIL SEAL	*
12	1	9800905000	IMPELLER SHAFT	
13	1	9901351000	SHAFT KEY	*
14	1	3921501041	BEARING RETAINING RING	
15	1	3180074380	OUTBOARD BALL BEARING	
16	1	3606130690	ROTATING ASSY O-RING	*
17	4	2101263890	HEX HD CAPSCREW	
18	4	2321080840	LOCKWASHER	
19	1	9700488000	SEAL PLATE GASKET	
20	1	3606222760	SEAL PLATE O-RING	*
21	1	9901371000	IMPELLER WASHER	
22	1	2102141950	SOCKET HD CAPSCREW	
23	1	3310271080	PIPE PLUG	
24	4	2101262580	HEX HD CAPSCREW	
25	4	2321080800	LOCKWASHER	
26	1	3480500200	SIGHT GAUGE	
27	1	3310271080	PIPE PLUG	
28	1	3310271080	PIPE PLUG	
29	1	3606220240	SEAL PLATE O-RING	

* INDICATED RECOMMENDED SPARE PARTS